



SAX 500

DC SERVOMOTORS



SAX 500

Complete line of DC Servomotors for use with Minispeed, and Masterspeed Servo Amplifiers that range from 2.8 to 8 Nm (400 to 1142.9 oz.-in.)

Typical applications are:
 Robotics, X-Y Tables, Medical Equipment, Textile Equipment, Conveyors, Graphic Machinery, Packaging Machinery, Positioners, Converting Machinery, Feeders.

STANDARD FEATURES

- ✓ Ferrite permanent magnets
- ✓ Extremely favorable cost to performance ratio
- ✓ Sizes from small to large
- ✓ Extremely suitable for personalization
- ✓ Simple installation and use
- ✓ Full torque in a wide range of speeds
- ✓ High overload capacity
- ✓ Environmental working temperature: 5÷40 °C
- ✓ Tachogenerator (10V / 1000Rpm) included as standard equipment
- ✓ Encoder Predisposition Ø 6 x 10 mm
- ✓ Protection class IP54

OPTIONS

- ✓ Encoder
- ✓ Brake
- ✓ Special Tachogenerator DT20 (20V/1000 Rpm)
- ✓ Special Flange listings available upon request (see catalogue)

TORQUE RANGE



DESCRIPTION

The **SSAX 500 DC** servomotors with permanent magnets are traditional, easy-to-use, motors that are extremely trustworthy and efficient.

They have a favorable cost to performance ratio and are perfectly designed for use with the Minispeed and Masterspeed Servo Amplifiers and range from 2.8 to 8 Nm (400 to 1142.9 oz.-in.) These servomotors (thanks to their permanent magnets) give high level performance and are extremely reliable.

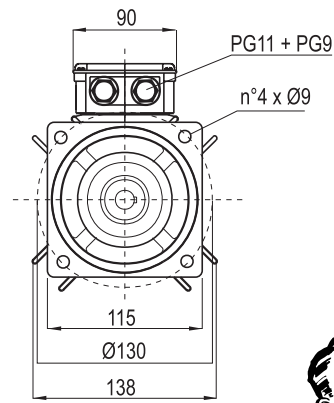
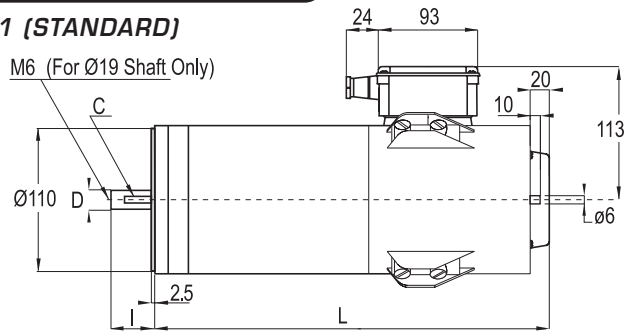
The maximum environmental temperature to which the Nominal performance refers is +40°C.

SERIES	SAX 500 (4 POLES)											
	SIZE	S				M				L		
M₀ Stall Torque (Nm)	2.8	2.8	2.8	3.0	5.0	5.0	5.5	5.5	7.5	8.0	8.0	8.0
N_n Nominal Speed (Rpm)	3500	3000	2000	2000	3500	3000	3000	1200	3000	3000	2000	1500
BEMF (Vdc)	110	120	95	170	115	135	165	120	107	165	140	120
In0 (A dc) Stall Current (Δt=100°C)	8.6	7	5.9	3.3	16	11	10	5.5	21	15	12	10
COUPLE WITH DRIVES Minispeed or Masterspeed	140	140	140	200	140	200	200	140	140	200	200	140
J Rotor Inertia kgm ²	0.002				0.003				0.0051			
J_B Brake Inertia kgm ²	0.000061											
Tacho Generator (Standard)	DT10 (10V / 1000 Rpm - 4 Poles)											
Brake (optional)	8 Nm - 24 Vdc (+5 / -10%) - 1.1A											

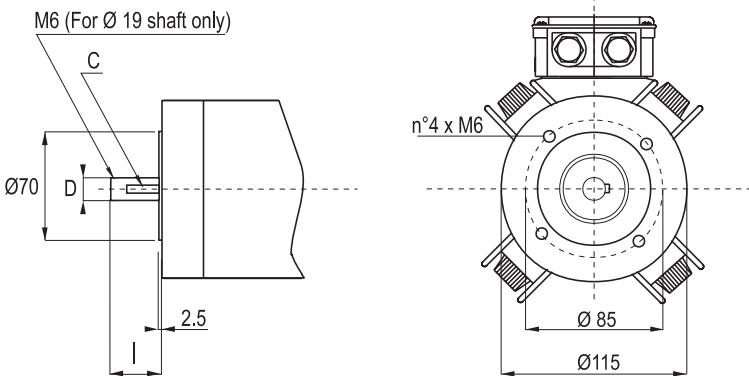
Drawings are not to scale (see quotations)

MECHANICAL DIMENSIONS

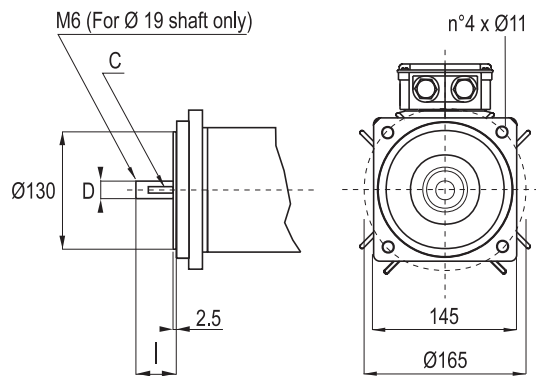
B5 M71 (STANDARD)



B14 M71 (OPTIONAL)



B5 M80 (OPTIONAL)



All dimensions are in mm

To obtain the dimensions in INCHES, divide mm by 25.4

Ex: 40 mm = 1.57 Inches / 25.4

TYPE	D mm	I mm	C mm	L** mm	WT* kg / (Lbs) Motor+Tacho
SAX 500S	14	30	5x5x25	311	8 / (17.7)
	19	40	6x6x30	311	8 / (17.7)
SAX 500M	19	40	6x6x30	383	12 / (26.5)
SAX 500L	19	40	6x6x30	455	17 / (37.6)

** Version with brake: L+40mm

*Version with brake: WT+1Kg (2.2 Lbs)

ORDERING CODE

Example:

SAX - 500 - S - 3.5 / 110 - 18 - 01 - M - 00

NAME: Line of Dc Servomotors

SERIES: 500

SIZE: S, M, or L

NOMINAL SPEED:
(KRPM) Ex: 3.5=3500 Rpm
(See table on Reverse)

BEMF VOLTAGE:
Ex: 110=110 Vdc
(See table on Reverse)

FLANGES & SHAFTS:

18 = B5M71 Ø19 (standard)
02 = B5M71 Ø14 (standard)
19 = B14M71 Ø19 (optional)
06 = B14M71 Ø14 (optional)
05 = B5M80 Ø19 (optional)
24 = B5M80 Ø14 (optional)

CUSTOM MADE:
00 = Standard

ELECTRICAL CONNECTIONS:
M = Terminal Box (standard)

OPTIONS:

01 = Tacho DT10 (standard)
04 = Brake No Tacho
06 = Brake + Tacho DT10
09 = Only Motor (W/O Tacho)
20 = Tacho DT20 (optional)

Specifications subject to change without notice. This document has been carefully checked. However, Axor does not assume liability for errors or inaccuracies. © COPYRIGHT 2003 AXOR INDUSTRIES. All rights reserved. Printed in Italy. 12/03

Part number D.S./04.01/SAX500/03