



REX

PLANETARY GEARBOXES

REX Complete line of precision planetary gearboxes ideal for use with **SUPER SAX**, **FAST-BACK** and **SAX 100**. For cycle and continuous operation.

STANDARD FEATURES

- ✓ Operating temperature - 30 °C+90°C (gearbox's temperature)
- ✓ Average bearings lifetime 10.000 h
- ✓ Noise level ≤ 70 dB
- ✓ Protection class IP65
- ✓ Life time lubrication



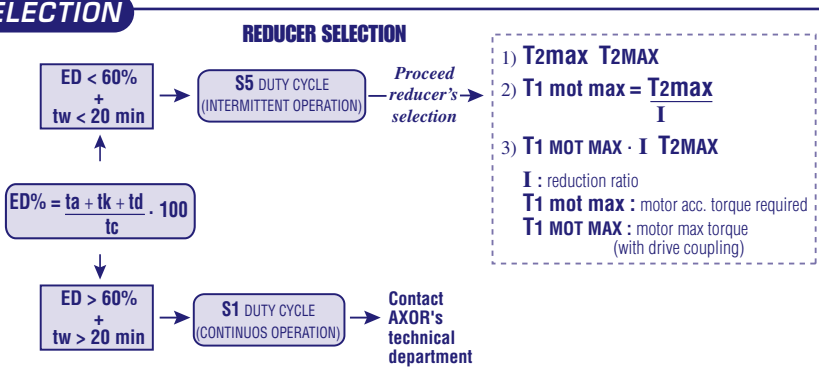
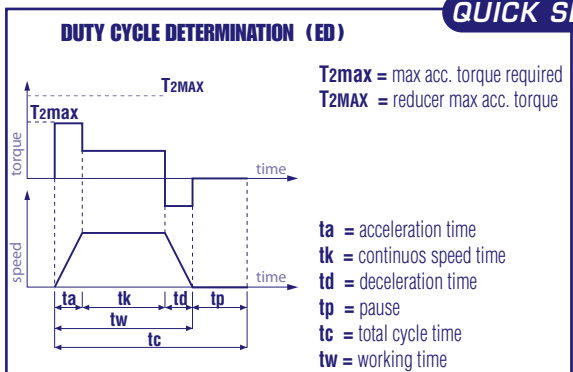
TORQUE RANGE / RATIOS

SERIES	STAGE	I Reduction Ratios (PREFERRED ONES)	J ₁ Input Shaft Inertia	T _{2N} ¹⁾ Rated Out Torque	T _{2 MAX} ²⁾ Acceleration Torque	T _{2pk} ³⁾	MAX Input Speed	F _{2R} ⁴⁾	F _{2A} ⁵⁾	BKSLASH Output Shaft				
		(Nm)	(Kg·m ² ·10 ⁻⁴)	(Nm)	(Nm)	(Nm)	(Rpm)	(N)	(N)	(Arcmin)				
REX 34	1	4 / 6.25 / 8	0.0017	0.7	1	1.8	5000	150	70	≤ 15				
	2	16 / 25 / 39.06 / 50	0.0011	1.5	2	3								
	3	64 / 100 / 128 / 244.14 / 312.5 / 400	0.001	6	6.5	7								
REX 55	1	3 / 4 / 5 / 6	0.077	18	35	45	4000	560	130	≤ 15 ≤ 5				
	2	9 / 12 / 15 / 16 / 20 / 24 / 30 / 36	0.06	20	35	60								
	3	48 / 64 / 80 / 100 / 120 / 150 / 180 / 216	0.04	30	45	70								
REX 63	1	3 / 4 / 5 / 6	0.077	18	35	45	4000	690	170	≤ 15 ≤ 5				
	2	9 / 12 / 16 / 20 / 24 / 30 / 36	0.06	20	35	60								
	3	48 / 64 / 80 / 120 / 150 / 180 / 216	0.04	30	45	70								
REX 80	1	3	0.27	40	70	80	4000	1160 / 270°	500 / 1250°	≤ 10 ≤ 5				
		4 / 5	0.14	60	90	120								
		6	0.07	48	80	100								
	2	9 / 12	0.19	40	70	80								
		16 / 20 / 24 / 30 / 36	0.1	60	100	150								
		48	0.15	80	105	170								
	3	64 / 80 / 120 / 150 / 180 / 216	0.07	100	120	190								
		3	1.00	80	120	200					3000	1500 / 4500°	700 / 1800°	≤ 10 ≤ 5
		4 / 5	0.55	110	330	450								
6	0.3	190	250	350										
2	9 / 10.5	0.85	80	200	300									
	12 / 14	0.6	140	200	300									
	16 / 20 / 24 / 30	0.4	180	350	480									
3	36	0.2	150	250	450									
	48 / 64 / 80 / 100 / 120 / 150 / 180	0.2	200	420	600									
	216	0.2	185	250	350									
REX 130	1	3	3.2	200	300	500	3000	4600	2300	≤ 10 ≤ 5				
		4	2.2	300	400	700								
		5	1.2	220	300	500								
		6	0.85	150	200	280								
	2	9 / 10.5 / 12	2.2	220	300	500								
		16 / 20 / 24	1.2	320	380	700								
		30	0.6	250	350	500								
		36	0.6	150	200	280								
	3	48 / 64	1.7	370	400	700								
		80	1.0	300	400	500								
		120 / 150 / 180 / 216	0.6	190	300	380								

4) Max radial-load in the middle of the output shaft at 100 Rpm output speed (10.000 h. bearing life expectancy)
 5) Max axial-load at shaft end at 100 Rpm output speed (10.000 h. bearing life expectancy)

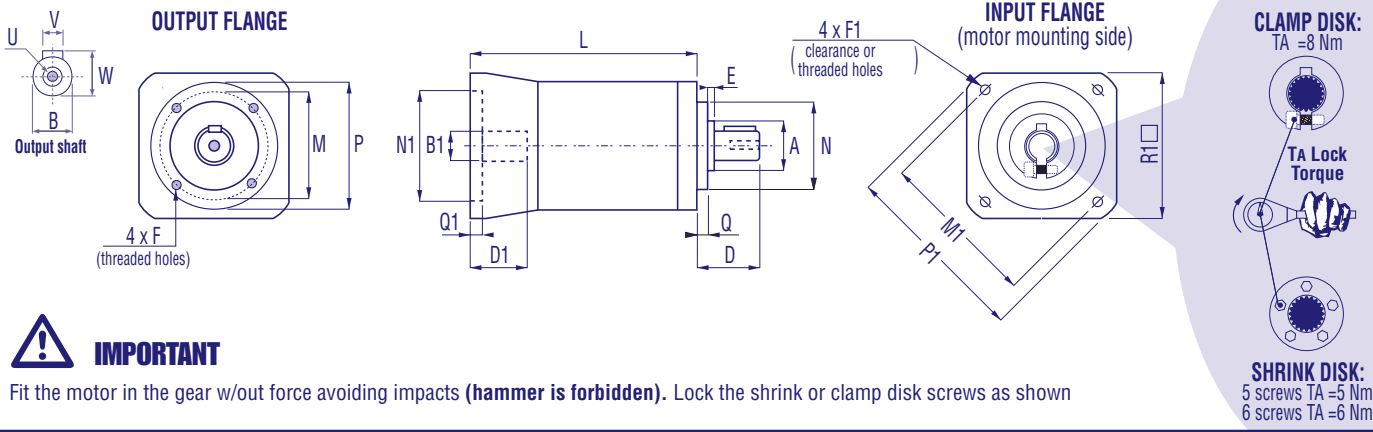
• With oblique contact output bearings (optional)
 1) Nominal output torque for continuous operation (S1). Max gearbox T=90°C
 2) Max acceleration torque for cycle operation (S5)
 3) Peak output torque for emergency stop (1000 times max for lifetime)

QUICK SELECTION



MECHANICAL DIMENSIONS

Drawings are not to scale (see quotations)



REFERENCES		OUTPUT FLANGE													INPUT FLANGE							WT	
SERIES	STAGE	L	P∅	A	B	D	Q	V	W	U	E	N	M	F	B1	D1	Q1	N1	M1	F1	R1	■P1	kg
REX 34	1	31	34	—	6	17	2.5	—	—	—	—	22	28	M3	NA*	NA*	NA*	NA*	NA*	NA*	—	∅ 34	0.2
	2	41																					0.25
	3	51																					0.3
REX 55	1	73	55	—	12	25	2.5	4 x 16	13.5	M4	—	32	40	M5	9	25	3	40	63	4.5	55	74	0.6
	2	88																					0.75
	3	103																					0.9
REX 63	1	83	63	—	14	36	3	5 x 20	16	M5	3	40	52	M5	11	23	4	60	90	M5	75	100	1.3
	2	98																					1.6
	3	113																					1.9
REX 80	1	104	80	20	19	45.5	5	6 x 30	21.5	M6	2	50	65	M6	14	30	4	80	100	6.5	90	115	2.6
	2	127																					3.4
	3	151																					4.2
REX 105	1	134	105	—	25	57.5	5	8 x 35	28	M8	2.5	70	85	M8	19	40	4	95	115	8.5	110	150	6
	2	167																					8
	3	201																					10
REX 130	1	158	130	52	32	70	7	10 x 50	35	M10	8	80	110	M12	24	50	4	130	165	11.5	140	188	11
	2	195																					15
	3	231																					19

* = The REX 34 gearbox is available only already coupled with SAX 117 Dc motor

ORDERING CODE: **REX 105 - 1 - 6 - 15 - 000D00X MV - 000C00X BB - NC**

Example:
NAME: Planetary Gearboxes
SERIES: 34, 55, 63, 80, 105, 130
STAGE: 1, 2 or 3 Ex: 1=one stage
REDUCTION RATIO: Ex: 6=1:6 (see table on reverse)
TORSIONAL BACKLASH: 15 = 15 arcmin (std for REX 34,55,63)
 10 = 10 arcmin (std for REX 80,105,130)
 5 = 5 arcmin (opt)

INPUT SHAFT COUPLING:
 MV = clamp disk with key (std)
 CC = shrink disk (opt)
 SL = spiral pin+Loctite (opt)
 for REX 80, 105, 130, only
 for REX 55, 63, only
 std for REX 34

OUTPUT BALL BEARINGS:
 BB = standard type
 CO = oblique contact type
 opt for REX 80, 105
 std for REX 130

COUPLMENT:
 NC = not coupled (std)
 SC = coupled "S" (opt)
 AC = coupled "A" (opt)

INPUT FLANGE & SHAFT: (motor mounting side)

000D00X

MOUNTING FLANGE:
 000= standard (see above)
 001-499= IEC metric dimension
 501-999= Axor's internal code
MOUNTING HOLES:
 D= B5 flange with thru holes (std)
 C= B14 flange with threaded holes

SHAFT KEY:
 x=with key (std)
 w=without key
SHAFT DIAMETER:
 00= standard (see above)
 01-49= IEC metric diameter
 51-99= Axor's internal code

OUTPUT FLANGE & SHAFT:

000C00X

MOUNTING FLANGE:
 000= standard (see above)
 001-499= IEC metric dimension
 501-999= Axor's internal code
MOUNTING HOLES:
 D= B5 flange with thru holes
 C= B14 flange with threaded holes (std)

SHAFT KEY:
 x=with key (std)
 w=without key
SHAFT DIAMETER:
 00= standard (see above)
 01-49= IEC metric diameter
 51-99= Axor's internal code

SPECIAL FLANGES & SHAFTS OPTIONAL	B1	D1	Q1	N1	M1	F1	R1=	P1
000C14X (for REX 63)	14	30	4	60	90	M5	75	100
065D09X (for REX 80)	9	25	4	50	65	5.5	—	∅80
115D19X (for REX 80)	19	40	4	95	115	8.5	110	150
100D14X (for REX 105)	14	30	4	80	100	6.5	90	115
165D24X (for REX 105)	24	50	4	130	165	11.5	140	188
115D19X (for REX 130)	19	50	4	95	115	8.5	110	150

SPECIAL FLANGES & SHAFTS OPTIONAL	A	B	D	Q	V	W	U	E	N	M	F	P

Part number D.S./01.06/REX/01 Specifications subject to change without notice. This document has been carefully checked. However, Axor does not assume liability for errors or inaccuracies. © COPYRIGHT 2006 AXOR INDUSTRIES. All rights reserved. Printed in Italy. 01/06