



LXT-LX

MOTOR CHOKES



LXT

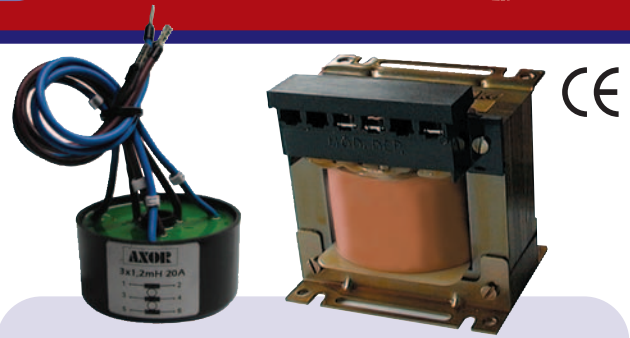
Single size choke (3 ph) to be coupled with Axor's Brushless motors and drives. Necessary when using shielded power cables longer than 25m (to compensate cable capacity).

LX

Complete line of chokes specifically designed to be coupled with Axor's Dc Brushed Servodrives (to compensate for insufficient internal inductance avoiding motor over-heating). Continuous current range up to 52 Arms.

STANDARD FEATURES

- ✓ In accordance with CEI EN 60742 - VDE0551
- ✓ Insulation class "F" type (155°C max / 280°F)
- ✓ Protection category: IP00
- ✓ Operating temperature: 0÷40°C (32÷104°F)
- ✓ Testing voltage: 2500 V
- ✓ Operating altitude: 1000 m above sea level



LXT CHOKES: SELECTION GUIDE (for Brushless Servomotors)

Because cable capacitance between conductors and screen (typically 150/200 pF/m) with long cable lengths may have undesirable effects like current spikes and drive instability.

LXT Choke is necessary for applications with CBLS motor cable longer than 25m.

LX CHOKES: SELECTION GUIDE (for DC Brushed Servomotors)

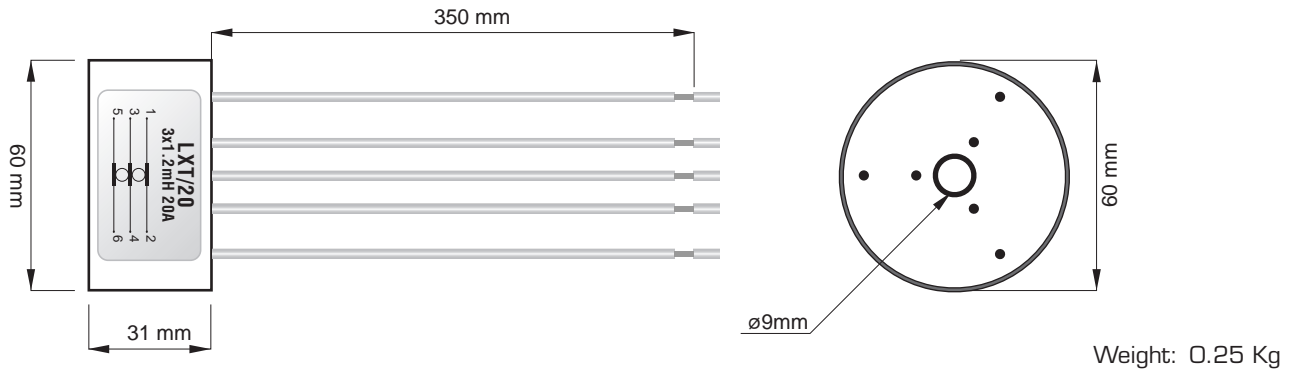
Using the LX table below, find your drive (drive's coupling column) and compare motor inductance value with minimum required (minimum motor inductance value).

LX Choke is necessary for all servomotors with inductance less than minimum required.

LXT MODELS FOR BRUSH. DRIVES	INDUCTANCE VALUE (mH)	RATED CURRENT (Arms)	PEAK CURRENT (Arms)	DRIVE'S COUPLING	MOTOR CABLE LENGTH
LXT 20	1.2	20	40	ALL BRUSHLESS SERVODRIVES (sinusoidal and trapezoidal)	25m ÷ 50m MAX.

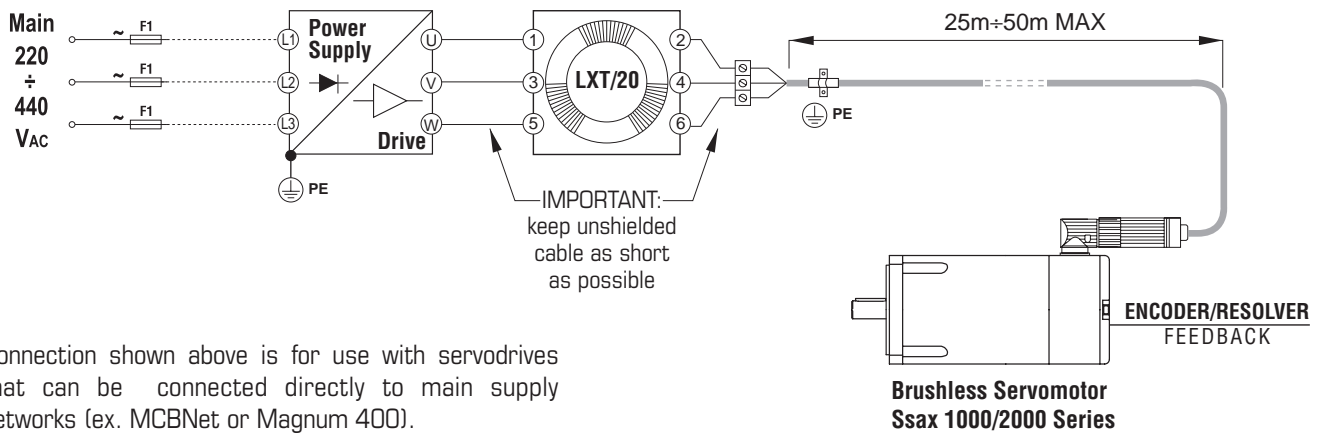
LX MODELS FOR DC DRIVES	INDUCTANCE VALUE (mH)	RATED CURRENT (Arms)	PEAK CURRENT (Apc)	DRIVE'S COUPLING	MIN. MOTOR INDUCTANCE VALUES (if inferior LX is required)
LX 00	4	2	4	MCS, MCS PLUS 1/2-MS, MTS 2/4	5
LX 01	2	4	8	MCS, MCS PLUS 2.5/5-MS, MTS 4/8	2.5
LX 02	1	8	16	MCS, MCS PLUS 6/12-MS, MTS 8/16	1.25
LX 03	0.8	10	20	MCS, MCS PLUS 10/20-MS, MTS 10/20	1
LX 04	0.6	14	28	MCS PLUS 14/28-MS, MTS 14/28	0.7
LX 05	1	25	50	MCS PLUS 20/40-MS, MTS 20/40, 25/50	0.4
LX 1	8	8	16	CD 180 8/16	3
LX 2	6	12	28	CD 180 12/24	2
LX 3	4	15	30	CD 180 15/30	1.6
LX 4	2.5	25	55	CD 180 25/50	1
LX 5	2	30	90	CD 180 30/75	1
LX 6	1.25	50	110	CD 180 50/100	0.5
LX 7	1.25	52	150	CD 180 50/150	0.5

LXT MECHANICAL DIMENSIONS



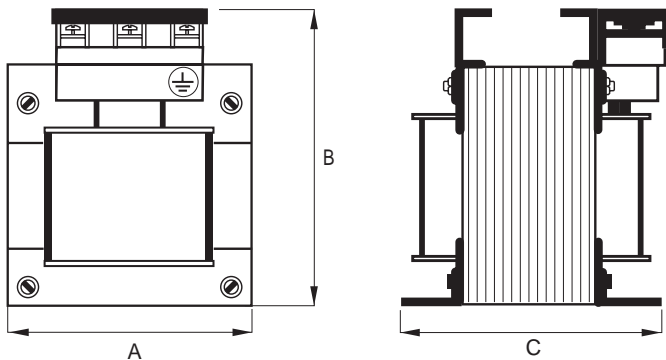
Weight: 0.25 Kg

LXT ELECTRICAL CONNECTIONS



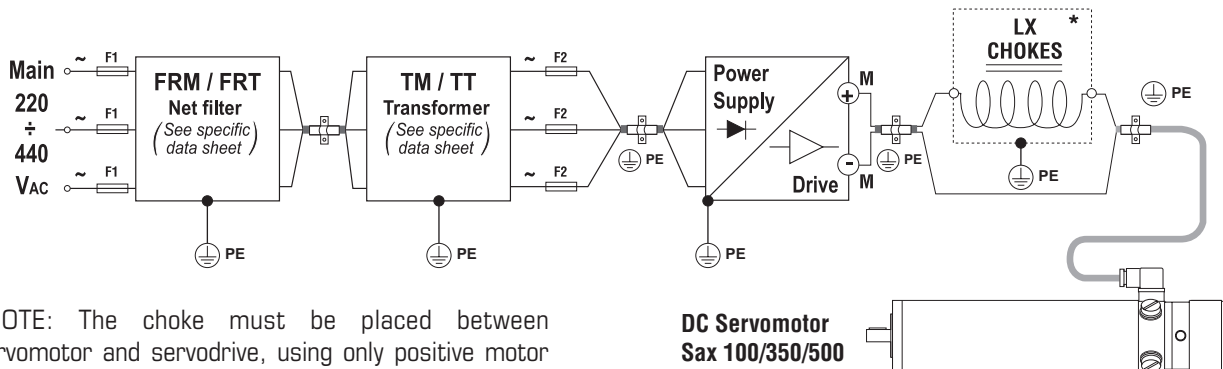
Connection shown above is for use with servodrives that can be connected directly to main supply networks (ex. MCBNet or Magnum 400).

LX MECHANICAL DIMENSIONS



MODEL	DIMENSIONS mm			WEIGHT kg
	A	B	C	
LX 00	75	80	55	0.9
LX 01	75	80	55	0.9
LX 02	75	80	55	0.9
LX 03	75	80	55	0.9
LX 04	75	80	55	0.9
LX 05	97	97	76	2.4
LX 1	97	97	76	2.4
LX 2	97	97	86	3.1
LX 3	97	97	86	3.2
LX 4	108	106	97	4.5
LX 5	120	122	102	5.9
LX 6	150	155	94	7.8
LX 7	150	155	104	9.1

LX ELECTRICAL CONNECTIONS



*NOTE: The choke must be placed between servomotor and servodrive, using only positive motor cable as shown above.

DC Servomotor
Sax 100/350/500