



CAPACITORS-RESISTORS-BRIDGES

POWER SUPPLY PARTS



CAPACITORS (CF) RESISTORS (RS) POWER BRIDGES (PB)

Power supply parts specifically for building self-made unregulated D.C. power supplies for most of Axor's servodrives (Microspeed, Microspeed Plus, Micro B, Micro B Plus and Minispeed)

SPECIFICATIONS

CAPACITORS

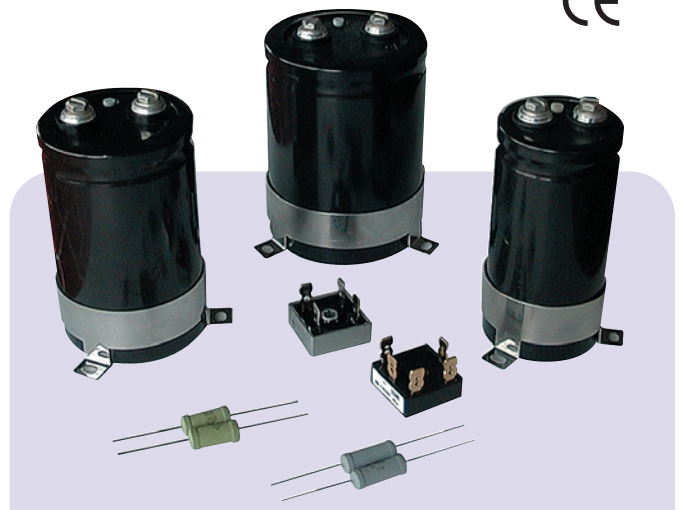
- ✓ Electrolytic type
- ✓ Cylindrical aluminium case (PVC insulated)
- ✓ Reference standard: IEC 384/4
DIN 41332
CECC 30300
- ✓ Climatic category: -40÷+85°C (-40÷185°F)
- ✓ Surge voltage: +15% working voltage
- ✓ Life expectation: >200000h (AT 40°C room temp)
- ✓ Stainless steel wrapper as standard equipment

RESISTORS

- ✓ Metal oxide film type
- ✓ Easily solderable wire leads
- ✓ Welded end-caps
- ✓ Reference standard: DIN44063-CECC40101-033

BRIDGES

- ✓ Electrically insulated thermal case
- ✓ Universal terminals push-on, wrap around or solder
- ✓ Extremely compact package
- ✓ Center hole fixing
- ✓ Operating frequency: 50/60 Hz



DESCRIPTION

With power supply parts it's possible and easy to obtain unregulated DC power supplies at really effective costs. An acceptable solution for complementing Axor's Servodrives that require DC-BUS power supplies, both single or three phase. The AC supply line can be single or three phase. The regeneration energy (during motor's braking) is stored back into the capacitors, increasing the voltage, for this reason the capacity dimensioning has to be made very carefully and in accordance with every specific Servodrive's service manual.

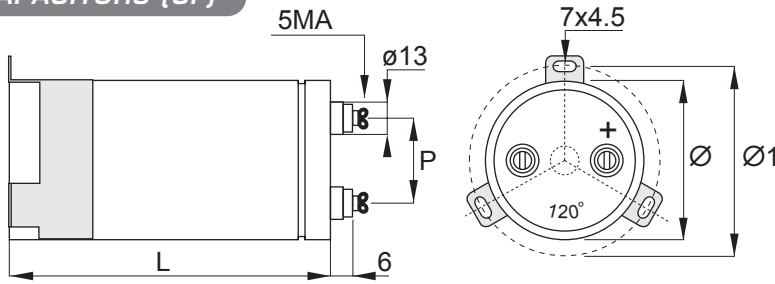
NOTE: The RS resistors doesn't work as a dumping energy system, but only as security capacitor/s discharger after AC supply is switched off.

ARTICLE	DESCRIPTION	SPECIFICATIONS	DRIVES AND TRANSFORMERS COUPLING
CF1	FILTER CAPACITOR	10 000 µF / 100 Vdc working voltage	60' MODELS
CF2	FILTER CAPACITOR	4 700 µF / 200 Vdc working voltage	140' MODELS
CF3	FILTER CAPACITOR	10 000 µF / 200 Vdc working voltage	140' MODELS
CF4	FILTER CAPACITOR	5 600 µF / 350 Vdc working voltage	200' MODELS
RS60	DISCHARGE RESISTOR	3 900 Ohm / 4 W (AT 70°C TAMBIENT)	60' MODELS
RS140	DISCHARGE RESISTOR	15 KOhm / 4 W (AT 70°C TAMBIENT)	140' MODELS
RS200	DISCHARGE RESISTOR	33 KOhm / 4 W (AT 70°C TAMBIENT)	200' MODELS
PBM35	SINGLE PH. POWER BRIDGE	35 Arms / 600 V (AT 60°C Tcase)	ALL MODELS
PBT35	THREE PH. POWER BRIDGE	35 Arms / 600 V (AT 60°C Tcase)	ALL MODELS

MECHANICAL DIMENSIONS

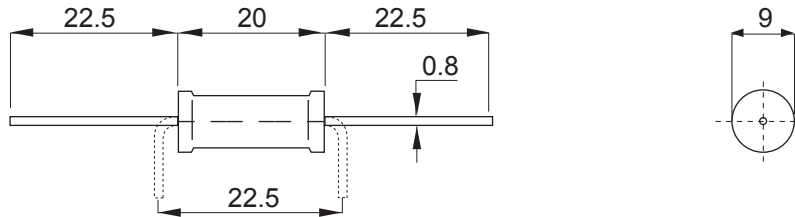
Drawings are not to scale (see quotations)

CAPACITORS (CF)



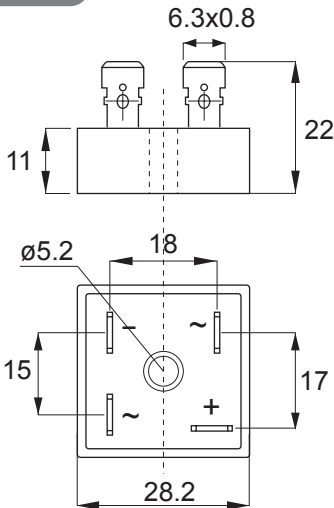
TYPE	DIMENSIONS mm				WEIGHT (WITH WRAPPER) Kg
	ϕ	L	P	$\phi 1$	
CF1	52	104	22.2	67 (± 1)	0.3
CF2	64	104	28.6	79 (± 2)	0.4
CF3	76	104	31.8	91 (± 2)	0.6
CF4	76	104	31.8	91 (± 2)	0.6

RESISTORS (RS) ALL TYPES

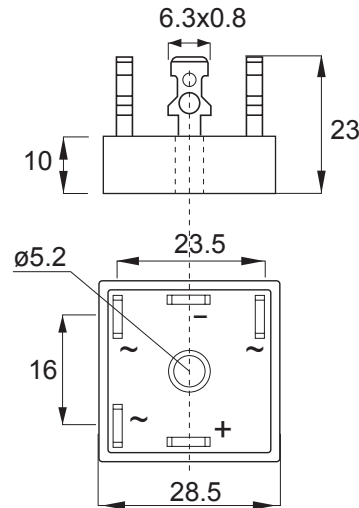


BRIDGES (PB)

PBM35 SINGLE PHASE



PBT35 THREE PHASE



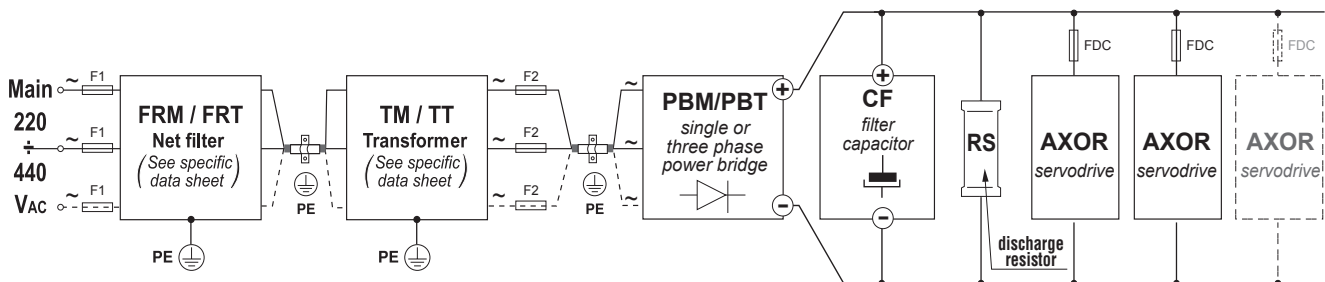
Mounting torque
bridge to heatsink
2 Nm ($\pm 10\%$)



All dimensions are in mm To obtain the dimensions in INCHES, divide mm by 25.4 Ex: $\frac{52 \text{ mm}}{25.4} = 2.047 \text{ Inches}$

ELECTRICAL CONNECTIONS

SINGLE OR THREE PHASE POWER SUPPLY



NOTE:

This electrical connection diagram is only a schematic example: for a proper wiring see every specific servodrive's service manual (also for the sizing of transformer, F2 fuses and CF filter capacitor/s).